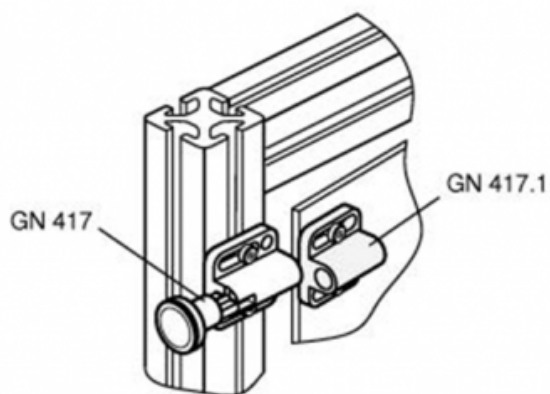
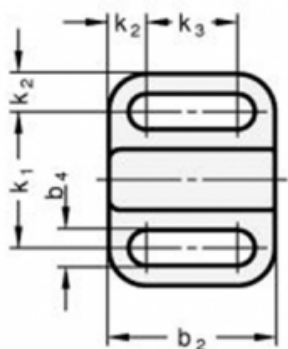
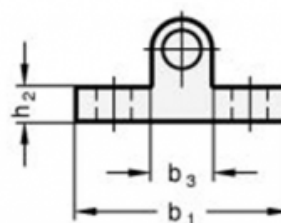
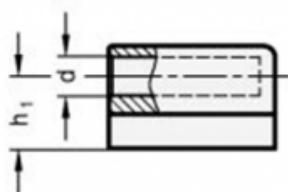


Article number: 2041714

Description: E+G Locators GN 417.1-4-ST-SW

Measures



b1	= 22	k2 = 4
b2	= 16.5	k3 = 8.5
b3	= 6	
b4-0,2	= 3.3	
d	= 4	
h1	= 7	
h2	= 4	
k1+-0,05	= 14	